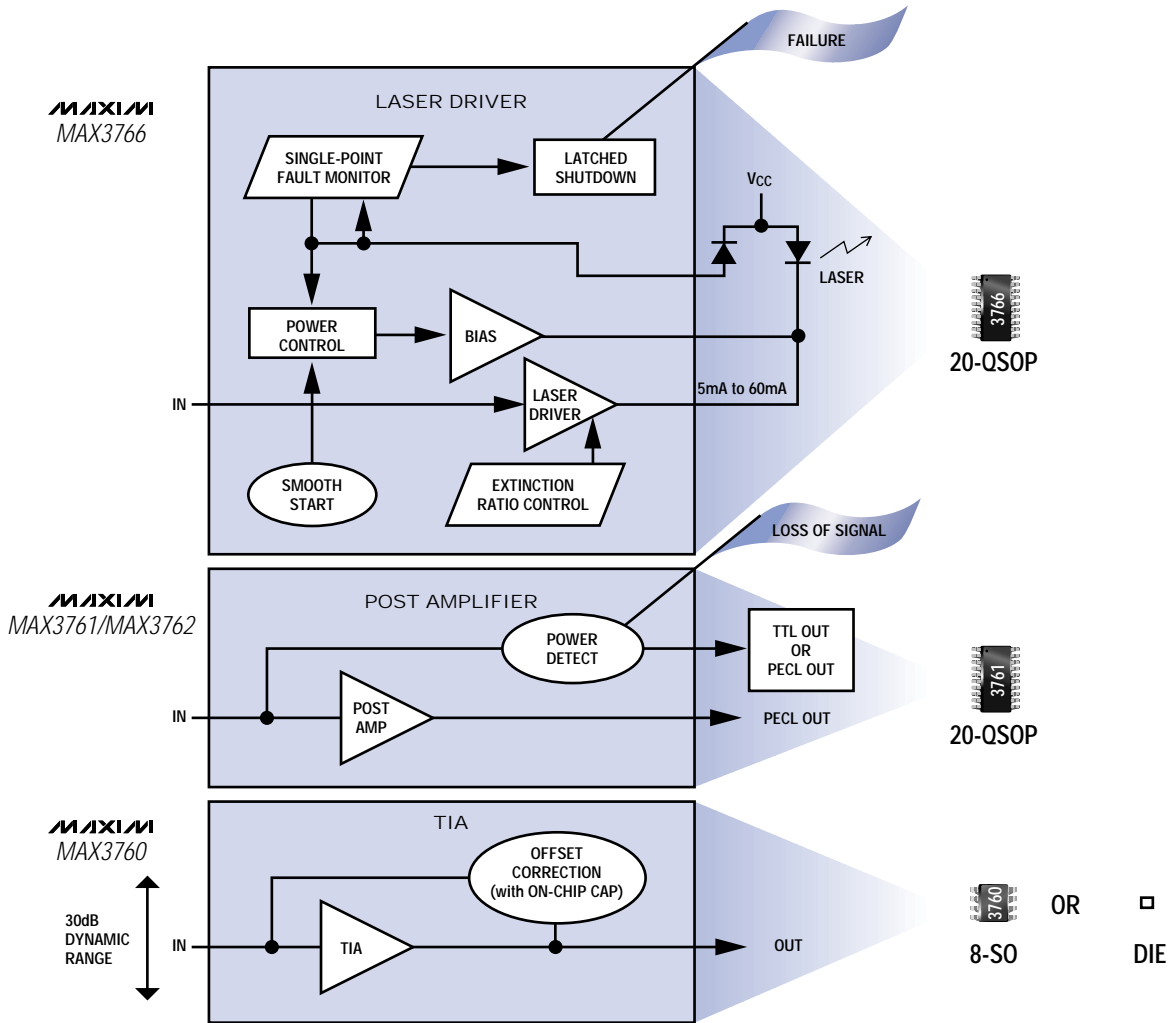


THE ONLY COMPLETE 622Mbps LAN FIBER OPTIC CHIPSET

YOU GET:

- ◆ 10 Functions Needed for 622Mbps LANs!
- ◆ 60mA Laser Driver with LASER SAFETY Circuits!
- ◆ 4mV Sensitivity Limiting Amp!
- ◆ 30dB Dynamic Range TIA with -3dB Overload!

No Additional Design Necessary: We've Done It All For You!



1998 EDITION!
FREE FULL LINE DATA CATALOG
ON CD-ROM



CALL TOLL-FREE 1-800-998-8800 for a Design Guide or Free Sample
6:00 a.m. – 6:00 p.m. Pacific Standard Time
<http://www.maxim-ic.com>



For Small-Quantity Orders Call (408) 737-7600 ext. 3468



MasterCard® and Visa® are accepted for evaluation kits and small-quantity orders.

Maxim Integrated Products, 120 San Gabriel Drive, Sunnyvale, CA 94086, (408) 737-7600, FAX (408) 737-7194.

Distributed by Allied, Arrow, Bell, CAM RPC, Digi-Key, Elmo, Nu Horizons, and Zeus.
Distributed in Canada by Arrow and Bell/Milgray.

MAXIM is a registered trademark of Maxim Integrated Products. © 1998 Maxim Integrated Products.